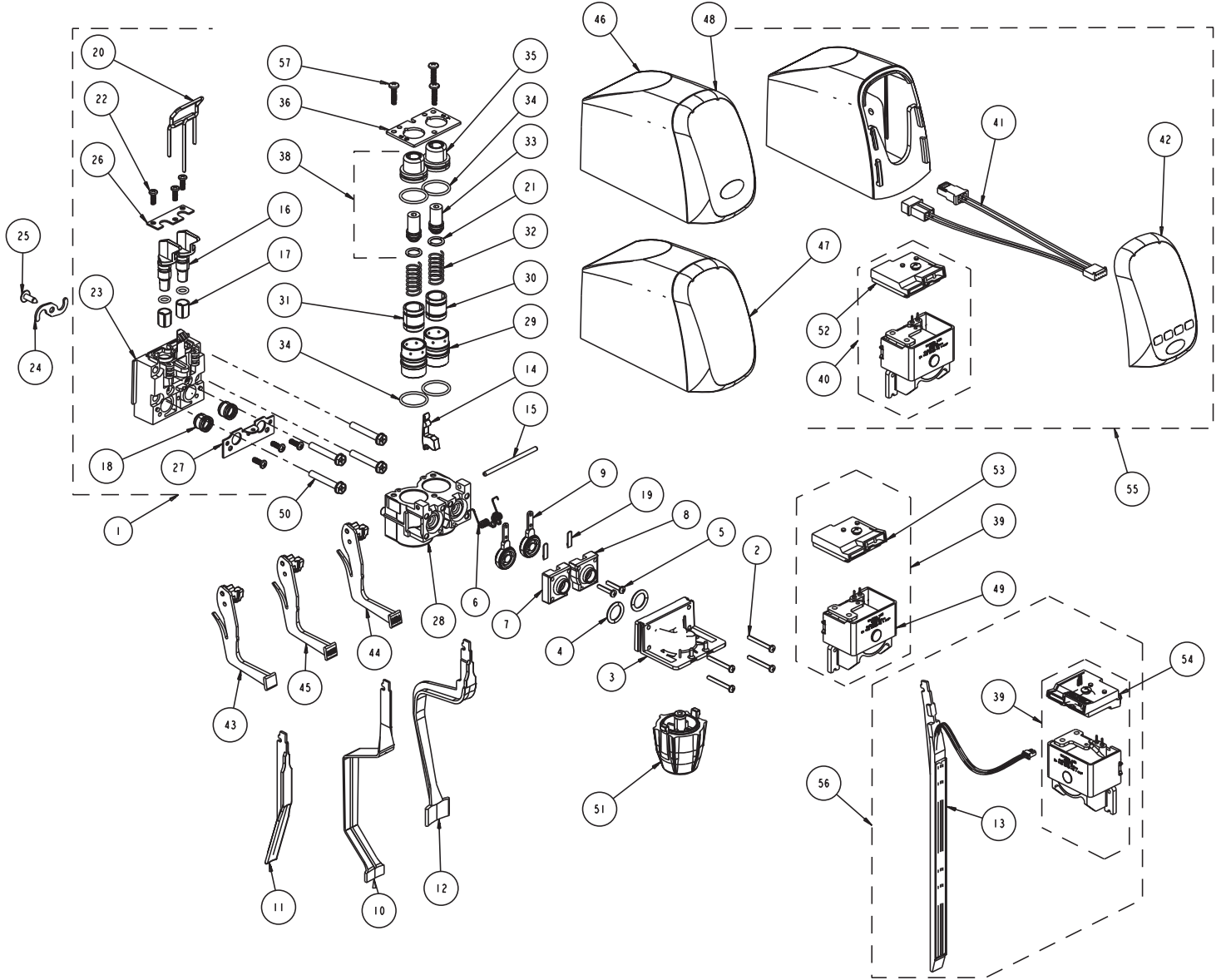




Flomatic

Flomatic 424-GP Post-mix Valve



REF PART	DESCRIPTION
1	380-Q MTG BLOCK 0.380
2	505 SCREW 4-40X1
3	507-26-B DIFFUSER BLOCK 424 INSERT
4	509 ORING 112
5	510 SCREW 4-40X5/8
6	511-04 SPRING COIL PALLET RETAINER
7	512-01-B ORIFICE CAP LFT BLK
8	513-01-B ORIFICE CAP RT BLK
9	515 PALLET
10	516-06 LEVER SANITARY SS (SSL)
11	516-07 EURO LEVER PL BLK
12	516-09 LEVER SANITARY MOLDED
13	516-10 AUTOFILL LEVER SENSOR
14	517-05 LEVER RETAINER ELEC LG
15	524-02 PIVOT PIN LONG
16	526 SHUTOFF PLUG
17	527 SEAL SHUTOFF
18	528 SEAL QUAD VLV STEM
19	530 BEARING PALLET
20	538-04 LATCH PIN

REF PART	DESCRIPTION
21	551 ORING 012
22	553-00 SCREW #6 X 3/8
23	562-80 BODY 380Q
24	564 S-CLIP
25	565 SCREW 8X1/2
26	567 RETAINER SHUTOFF PLUG
27	568 RETAINER QUAD STEM SEAL
28	600-07-B FLOW CTRL BASE 424 # 8
29	602-02 CYLINDER
30	603-02 PISTON SYR
31	604-02 PISTON SODA
32	605-01 SPRING FLOW CTRL 7 COIL
33	607 SCR FLOW RATE ADJ M
34	608 ORING 017
35	609 NUT FLOW RATE ADJ
36	610-04 RETAINER PLATE 6-32
37	642-00 FLOW RATE ADJ SET
38	774-A36 SOL AUTOFIL SNGL AC
39	774-E36 SOL MSL SNGL YOKE AC
40	774-P36 SOL PCTRL SNGL YOKE AC

REF PART	DESCRIPTION
41	817-04 HARNESS CPM
42	835 PC MODULE 4 CUP
43	1028 ADD-A-LEVER 464
44	1028-S ADD-A-LEVER 464 SO
45	1028-W ADD-A-LEVER 464 WTR
46	1601 COVER BASE
47	1602 COVER PL FRONT
48	1610 COVER GP FRONT PB
49	9774-1 SOLENOID ASSEMBLY
50	5011953 SCR 10-24X1-1/4 SELF TAP
51	5028589 464 NOZZLE ASSEM
52	5030418 SWITCH, PCTRL
53	5030419 SWITCH, MSL
54	5030421 SWITCH, AUTOFILL
55	5031015 KIT AC PCTRL CONV 464
56	5031018 KIT AC AUTOFILL CONV
57	020001284 SCR #8 X 5/8 PH HI-LO 18-8

REF PART	DESCRIPTION
COMPLETE VALVE ASSEMBLIES	
424-GP-P31-1600	Valve - portion control
424-GP-E35-1621	Valve - sanitary lever
424-GP-1621	Valve - manual

Inquire about other 424 options.
*Parts not sold separately

